

RECOM


POLY


235, 240, 245, 250


Amur Leopard



 EUROPEAN
Warranty Engineering

 Exceptional aesthetics
elegantly beautiful

 °C Temperature Coefficient
of Pmax -0.39% / °C

 Microstructured glass
& anti-reflective



CEC
approved
products

ELECTRICAL CHARACTERISTICS

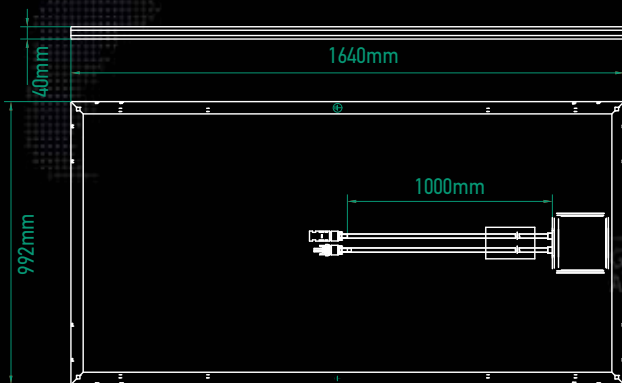
Rated Power:	235W	240W	245W	250W
Power Tolerance :	0%/+5W	0%/+5W	0%/+5W	0%/+5W
Maximum Power Voltage (Vmp):	30.00V	30.10V	30.10V	30.20V
Maximum Power Current (Imp):	7.83A	8.05A	8.12A	8.35A
Open Circuit Voltage (Voc):	36.30V	36.90V	37.00V	37.10V
Short Circuit Current (Isc):	8.77A	8.60A	8.77A	8.92A
Module Efficiency	14,5%	14,8%	15,1%	15,4%
Maximum Series fuse:	15A	15A	15A	15A
Maximum System Voltage:	1000V DC(IEC) / 1000V DC(UL)			

Tested at Standard Test Conditions. Measurement tolerances: ± 3%

MECHANICAL DATA

Dimensions	1640mm x 992mm x 40mm
Frame	Anodized aluminum
Weight	19 kgs
Front Glass	3.2 mm AR low iron tempered glass
Output Cables:	TUV (2Pfg1169:2007), UL 4703, UL44 4.0 mm ² (0.006 in ²), symmetrical lengths (-) 1000mm and (+) 1000 mm, MC4 type connectors

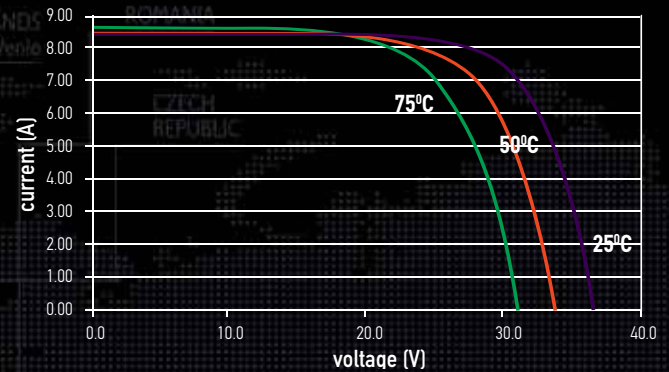
DIMENSIONS



Specifications are subject to change without further notification
Release 2014-01-10, v1.3

www.recom-solar.com

V-I CURVE



TEMPERATURE CHARACTERISTICS

P _{max} Temperature Coefficient	-0.39% / °C
V _{oc} Temperature Coefficient	-0.32% / °C
I _{sc} Temperature Coefficient	+0.08% / °C
Operating Temperature	-40~+85 °C
Nominal Operating Cell Temperature (NOCT)	45 ± 2 °C

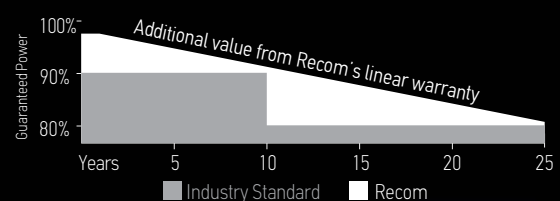
PACKING CONFIGURATION

	TURKEY	20'GP	40'HC
Container			
Pieces per Pallet		26	26
Pallets per Container		12	28
Pieces per Container		312	728

TESTS, CERTIFICATIONS AND WARRANTIES

Standard tests	UL1703, IEC 61215, IEC 61730
Quality tests	ISO 9001: 2008, ISO 14001: 2004, ISO17025: 2005
Certifications	Class C Fire Rating, conformity to CE, PV CYCLE
Extreme wind and snow loads testing	Module certified to withstand extreme wind (2400 Pascal) and snow loads (5400 Pascal)
Positive tolerance	Guaranteed positive tolerance of up to 5W
Junction Box	IP67 Rated
Warranties	<ul style="list-style-type: none"> • 10-year limited product warranty • 25-year transferable linear power output warranty

LINEAR PERFORMANCE WARRANTY



Dealer: